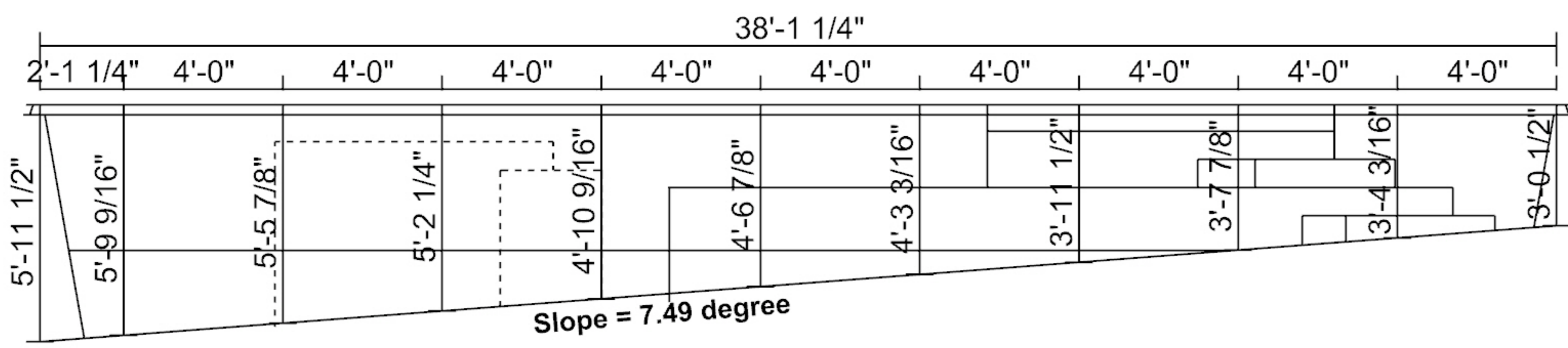
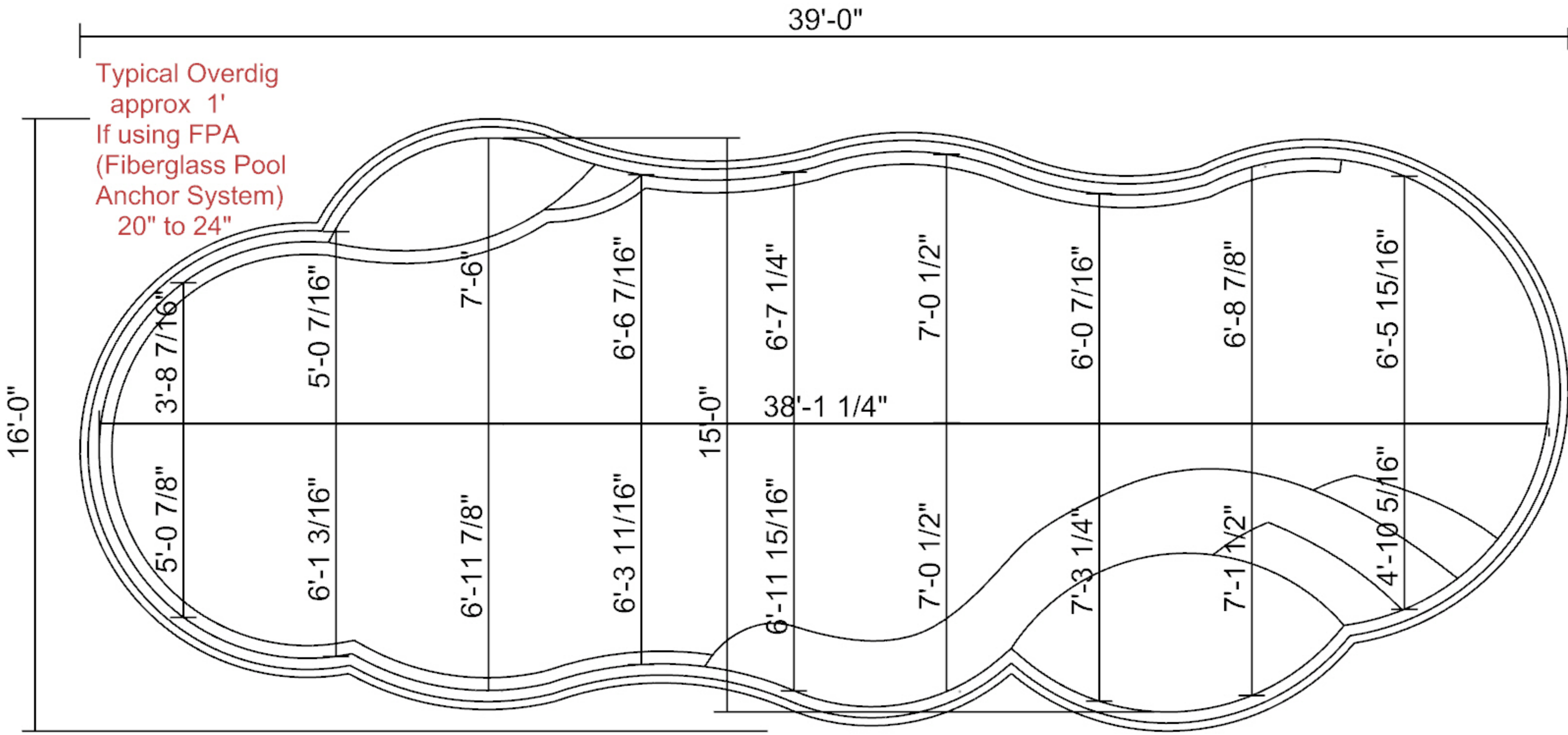


THURSDAY POOLS

Sun Day 1639

Depth: 3'-6" to 6'-0"



PLEASE SEE GENERAL CONSTRUCTION AND RECOMMENDED INSTALLATION NOTES

General Tolerance +/- 1/2"

SPECIFICATIONS:

Volume:	13,300 gal (est)
Weight:	3,000 lbs (est)
Area:	480 sq. ft. (est)
Perimeter:	104' (est)

SCALE:

CONTROL

Meets Input Criteria	Confirmed Act. Date	Confirmed Dig. Dates
WHK 6/17/17	DC 4/10/18	

THURSDAY POOLS LLC
 your weekend starts early with us . . .
 840 Commerce Parkway
 Fortville, Indiana 46040
 Note: for technical help please call Thursday Pools LLC at
 Toll Free (877) 928-POOL (7665)
 Local (317) 973-0200

NON DIVING POOL
 (Add approx 1/4" for fiberglass floor thickness)

POOL NAME:	Sun Day 1639
OWNER:	
ADDRESS:	
POOL DEALER:	

To be filled out by Thursday Pools LLC

Date:	4/10/18
Job No.:	
File No.:	

Sheet No. D8
 Revision No. 02